

CaptiFlex® square C-C-MO-L-I-Φ_a-t-series for wall measurement in flow (acoustic, pressure ...)

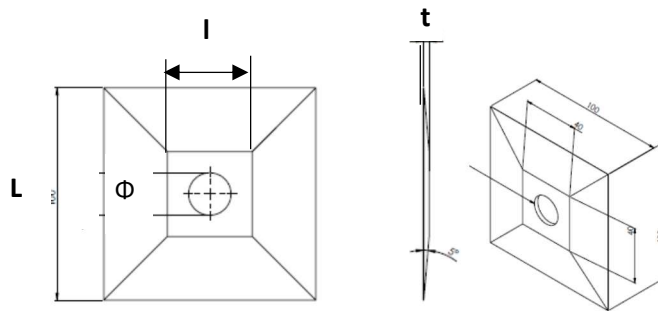


Ref: C-C-MO-100-40-20-3.2-series

Main advantages:

- “Stick & Measure” concept
- Low immobilisation of your specimen
- Flexible support : Ideal for flight test, wind tunnel wind turbine & automotive application
- High performances for flight test applications (transonic ; aerobatics)
- Fast installation onto your structure without damage
- Flush sensor

CaptiFlex® Technology is patented



Reference: C-C-MO-L-I-Φ_a-t-series

Product references:(for other sensors, contact us)

Sensor	Ref CaptiFlex	L(mm)	l (mm)	Φ _a (mm)	t (mm)	Mass (g)
B&K 4948/4949	C-C-MO-100-40-20-3.2	100	40	20	3.2	7

Main technical specifications (other specifications, contact us):

- For one sensor of pressure or acoustic for wall measurement
- For setting onto plane surface or medium curved as business aircraft fuselage (Φ2m)
- Pressure min/max : 250hPa (3.6PSI) /1500hPa (21.7PSI)
- Temperature min/max : -40°C (-40°F)/+80°C (176°F)
- Load factor min/max : -1g/+5g
- Max speed & max altitude : M0.92 (Transonic), 420 Kts, 40 000'
- Roughness Ra 0.4μ
- Waterproof against water projection

Instruction for use:

- In workshop, sensor is set up on a specific support in order to be flushed and to be decoupled from the structure
- Then the entire system is stuck onto your structure

Accessory/ Options:

- LMSM could add a connector to the sensor wires and could shield them
- Combined with TransiFlex, sensor wire installation is quicker and increases quality measurement
- Specific support for sensor

How to order: lamesuresurmesure@orange.fr

Contact our specialist at + 33 6 30 80 85 66

42 avenue Paul Cézanne 13090 Aix-en-Provence, France

